

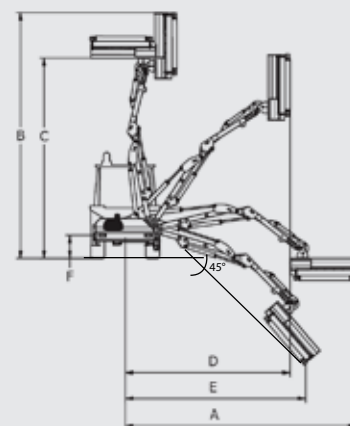
DOC 303

For tractors 70-90 hp (5 m / 5,7 m)

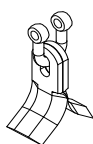


Hydraulic hedge mower with side shift and mechanical release safety device for tractors HP 70/90 and weight 3000/3500 kg, suitable for working on local and trunk roads and farms.

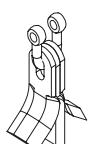
DOC 303	5.0	5.7
A mm	5.000	5.700
B mm	5.200	5.900
C mm	4.100	4.800
D mm	3.200	3.900
E mm	4.000	4.700
F mm	550	550



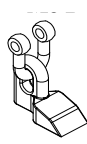
Rotor with shackle (exchangeable tools)



KC2
Ø max 2 cm
STANDARD EQUIPMENT



KC3
Ø max 2 cm



HC1
Ø max 4 cm

Rotor with bolt (exchangeable tools)



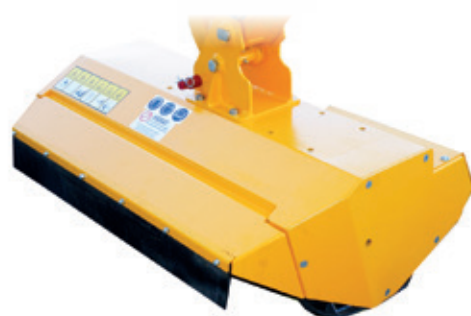
KF2
Ø max 3 cm



KF3
Ø max 3 cm



HF3
Ø max 6 cm



Tools n. 16 kits per rotor

Arm mower	DOC 303 5.0	DOC 303 5.7
Extension E mm	5.000	5.700
Weight kg	820	880
Oil tank L	150	150
Head model	30.3	30.3
Pump l/min	80+20	80+20
Hydraulic Motor HP [kW]	45 (33)	45 (33)

Tractor

Power HP [kW]	70/90 (51/6)	70/90 (51/6)
3-point linkage Cat.	Cat. 1-2	Cat. 1-2
Weight kg	3.000	3.500
Width m	2	2,2
PTO rpm	540	540

Technical features and standard equipment

- Frame - 1st arm - 2nd arm in structural steel ST 52
- Three points hitch 2nd category
- Oil tank 150 l
- Double gear pump group 3+2 - 80+20 l/min
- Bidirectional hydraulic motor HP 45 power
- Distributor with remote controls with mm 3000 flexible cables
- Self-levelling floating system
- Feeler roller recordable on 3 positions
- Head rotating angle 200° with upper attachment
- Helicoidal rotor with jointed cut blade KC2
- Rotor turning at 3000 rpm
- Fixing tie-rods
- Cardan joint
- Rear underrun protection with lights
- Flail head mm 1050 MODEL 30.3 TTD 105 with direct transmission

Accessories on request

- Nitrogen accumulator for 1st arm suspension
- Heat exchanger
- Electric distributor with joystick
- Electric command of the rotor
- Proportional power-assisted with joystick
- Rear flail head hitch
- Tie rods adapter Cat. 2
- Flail head mm 1250 - n. 20 kits of tools per rotor

Terminal tools

In replacement of the standard mulcher

p.82



HEDGE CUTTING BAR

BF15

p.83



PRUNING SHEAR BAR

BTZ5 15
BTZ5 18
BTZ10 16
BTZ10 19
BTZ10 22

p.84



FOREST CUTTING DISC BAR

BD2
BD3

p.85



DITCH CLEANER

PF60