

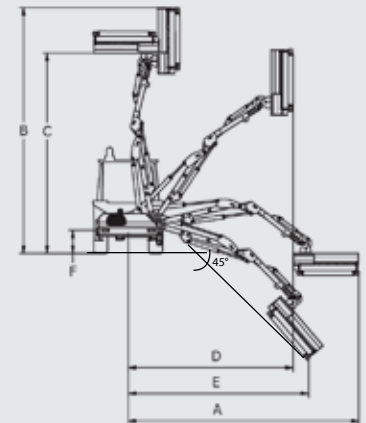
# DOC 302P – 302PS

For tractors 80-130 hp (5,5 m/6,0 m)

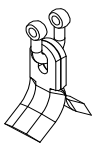


Hydraulic hedge mower with side shift and 100° rotating column with shock resistant hydraulic safety device for tractors HP 80/130 and weight 3500/4500 kg, suitable for working on local and trunk roads and farms.

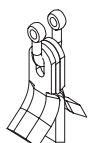
DOC 302	P	PS
A mm	5.500	6.000
B mm	5.700	6.200
C mm	4.600	4.700
D mm	3.700	4.200
E mm	4.500	5.000
F mm	550	550



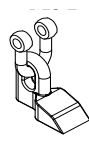
## Rotor with shackle (exchangeable tools)



**KC2**  
Ø max 2 cm  
**STANDARD EQUIPMENT**



**KC3**  
Ø max 2 cm



**HC1**  
Ø max 4 cm

## Rotor with bolt (exchangeable tools)



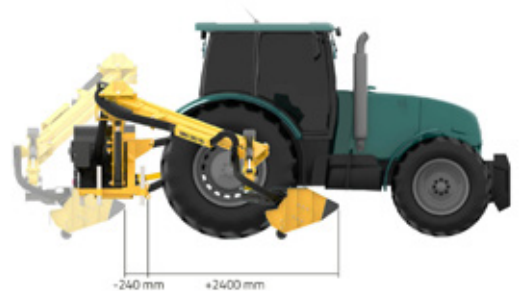
**KF2**  
Ø max 3 cm



**KF3**  
Ø max 3 cm



**HF3**  
Ø max 6 cm



Tools n. 20 kits per rotor

Arm mower	DOC 302 P	DOC 302 PS
<b>Extension</b> E mm	5.500	6.000
<b>Weight</b> kg	1.250	1.300
<b>Oil tank</b> L	160	160
<b>Head</b> model	30.3 TTD 125	30.3 TTD 125
<b>Pump</b> l/min	100+20	100+20
<b>Hydraulic Motor</b> HP [kW]	55 (40)	55 (40)

### Tractor

<b>Power</b> HP [kW]	80/130 (60/95)	80/130 (60/95)
<b>3-point linkage</b> Cat.	Cat. 2	Cat. 2
<b>Weight</b> kg	3.500	4.000
<b>Width</b> m	2,4	2,4
<b>PTO</b> rpm	540	540

### Technical features and standard equipment

- Frame - 1<sup>st</sup> arm - 2<sup>nd</sup> arm in structural steel ST 52
- 90° rotating column and shock resistant hydraulic safety device
- Three points hitch 2<sup>nd</sup> category
- Oil tank 160 l
- Double gear pump group 3+2 - 100+20 l/min
- Bidirectional hydraulic motor HP 55 power
- Distributor with remote controls with mm 3000 flexible cables
- Self-levelling floating system
- Feeler roller recordable on 3 positions
- Head rotating angle 200° with upper attachment
- Helicoidal rotor with jointed cut blade KC2
- Rotor turning at 3000 rpm
- Fixing tie-rods - Cardan joint
- Air-oil heat exchanger with radiating mass at high thermal exchange
- Rear underrun protection with lights
- Flail head mm 1250 MODEL 30.3 TTD 125 with direct transmission

### Accessories on request

- Nitrogen accumulator for 1<sup>st</sup> arm suspension
- Electric distributor with joystick
- Electric rotor command
- Proportional power-assisted with joystick
- Cast iron pump and motor
- Rear flail head hitch
- Tie rods adapter Cat. 2
- Flail head mm 1050 - n. 16 kit per rotor

### Terminal tools

In replacement of the standard mulcher

p.77



#### MODEL

**30.5 TTD 105** | 280 kg/lbs  
**30.5 TTD 130** | 320 kg/lbs

**30.5 TTC 105** | 305 kg/lbs  
**30.5 TTC 130** | 345 kg/lbs

p.82



#### HEDGE CUTTING BAR

BF15

p.83



#### PRUNING SHEAR BAR

BTZ5 15  
 BTZ5 18  
 BTZ10 16  
 BTZ10 19  
 BTZ10 22

p.84



#### FOREST CUTTING DISC BAR

BD2  
 BD3

p.85



#### DITCH CLEANER

PF60