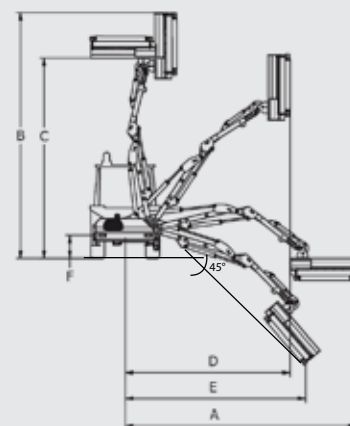


VFR7 – VFR8T

For tractors 150–200 hp (7/8 m)

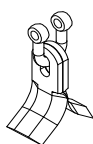


The VFR 8T combines three important features: the parallelogram geometry, a telescopic extension and the side cabin forwarding. These features are essential for an easy work in narrow spaces by long hedge mowers and all the comfort of the cutting head on the side of the cab for better visibility.

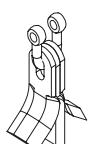


VFR	7	8T
A mm	7.000	8.000
B mm	7.200	8.200
C mm	6.100	7.100
D mm	5.200	6.200
E mm	6.100	7.100
F mm	550	550

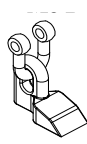
Rotor with shackle (exchangeable tools)



KC4
Ø max 2 cm
STANDARD EQUIPMENT



KC5
Ø max 2 cm



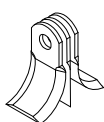
HC2
Ø max 4 cm



Rotor with bolt (exchangeable tools)



KF4
Ø max 4 cm



KF5
Ø max 4 cm



KF6
Ø max 3 cm



HF5
Ø max 6 cm



HF4
Ø max 6 cm

Tools n. 20 kits per rotor

Arm mower	VFR 7	VFR 8T
Extension E mm	7.000	8.000
Telescopic	1	1
Weight kg	1.700	1.900
Oil tank L	260	260
Head model	30.5	30.5
Pump l/min	120+20	120+20
Hydraulic Motor HP [kW]	80	80

Tractor

Power HP [kW]	150 (110)	150 (110)
Weight kg	6.500	7.000
Width m	2,5	2,5
PTO rpm	540	540

Technical features and standard equipment

- Frame in structural steel ST 52
- Highly resistant steel DOMEX700 for 1st, 2nd arm and telescopic extension terminal with hexagonal section
- Telescopic extension terminal on guide slides on ERTALON anti-wear material
- 90° rotating column and shock resistant hydraulic safety device
- Three points hitch 2nd and 3th category
- Oil tank 260 l
- Double gear pump PARKER - 120+25 l/min
- Bidirectional hydraulic motor HP 80 power
- Biaxial prop. distributor with joystick SAUER DANFOSS
- Nitrogen accumulator for 1st arm suspension
- Rear flail head hitch
- Head rotating angle 230°
- Additional auxiliary line 3/8 "
- Self-levelling floating system
- Feeler roller recordable on 3 positions
- Helicoidal rotor with jointed cut blade M5C
- Rotor turning at 3000 rpm
- Fixing tie-rods
- Cardan joint
- Air-oil heat exchanger with radiating mass at high thermal exchange
- Rear underrun protection with lights
- Hydraulic flail head hood
- Flail head mm 1300 MODEL 30.5 TTC 130 with belt transmission

Accessories on request

- Blower (to be connected to the tractor)
- Trestle bracing + tie rods adapter
- Tie rods adapter Cat. 2 (3rd point pin 25 mm)
- Tie rods adapter Cat. 3 (3rd point pin 32 mm)

Terminal tools

In replacement of the standard mulcher

p.83



PRUNING SHEAR BAR

BTZ10 16
BTZ10 19
BTZ10 22

p.84



FOREST CUTTING DISC BAR

BD3
BD4

p.85



DITCH CLEANER

PF60
PF80